

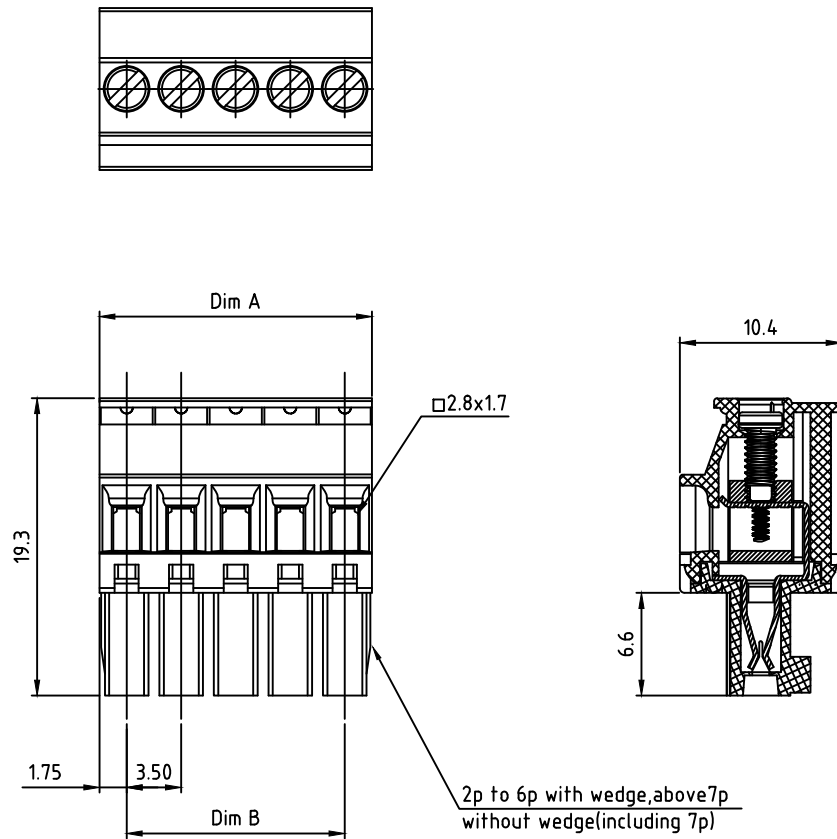


SPECIFICATIONS

- Voltage Rating: 300VAC/300VAC
- Current Rating: 8 Amps/10 Amps
- Dielectric withstanding: 1.6KV/2.5KV
- Operating Temperature: -40°C to +115°C
- Contact Material: PhBz, Tin Plated
- Terminal Screw: Steel Zinc plating "-" slot type
- Insulator Material: Thermoplastic, UL 94V-0
- Wire Range: 1.5mm²
- Wire Strip Length: 6-7mm
- Solid/Stranded Wire: 16-28 AWG
- Torque: 1.7Lb-In/0.2Nm
- Clamp: Brass(CuZn) Ni plated
- Screw: M2
- Safety Approval:  



N = Number of contacts

RPGH-XXAAX2-FG

02 pole
 "" ""
 24 pole

FG: RoHS Compliant
 Pb<40000ppm

- J: Black(RAL9005)
- B: Red(RAL3001/D)
- C: Orange(RAL2011/P)
- D: Yellow(RAL1018/A)
- E: Green(RAL6018/T)
- F: Blue(RAL5015/A)
- H: Grey(RAL7035/D)


Dimensions	
A	N×3.5
B	(N-1)×3.5

Poles	Tolerance
2P-8P	±0.10
9P-16P	±0.20
17P-24P	±0.30

GENERAL TOLERANCE UNLESS OTHERWISE SPECIFIED

XXX. ± X	.XX ± 0.10
XX. ± X	.XXX ± X
X. ± 0.50	X.' ± 1'
.X ± 0.30	.X' ± 1'

AP APTOS TECHNOLOGY

REV. A	DRAWN	04/23/09
DATE 04/23/09	CHECKED	
SCALE 1:1	APPROVED	
UNIT mm		SIZE A4

RPGH Series	
3.50 mm Side Entry Plug	
PRODUCT NO.	RPGH-XXAAE2-FG
FILE NAME	RPGH-XXAAE2-FG LF APD.DWG

APTOS Technology CONFIDENTIAL
 This document, and all information it contains, are the confidential, proprietary property of APTOS Technology. Disclosure, duplication or distribution of this document, or any information it contains, in whole or part, without prior written permission from APTOS Technology is strictly prohibited